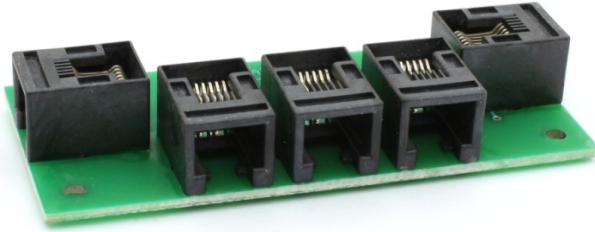
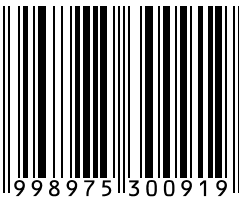


TM-75124



RJ12 HUB

User's manual



5 998975 300919



© 2011 BioDigit Ltd.

All rights reserved. It is forbidden to reproduce and/or publish the contents of the present document in any form including electronic and mechanical design without the written permission of BioDigit Ltd.



Safety warning

During the operation of the device the specified technical parameters shall always be met. At the installation the environment shall be fully taken into consideration. The device must not be exposed to moisture and direct sunshine.

A soldering tool may be necessary for the installation and/or mounting of the devices, which requires special care.

During the installation it shall be ensured that the bottom of the device should not contact with a conductive (e.g. metal) surface!

Contents

Safety warning	1
Properties	2
Technical parameters	2
Short description	2
Connections	2
Guarantee and legal statement	3

Properties

- XpressNet compatible
- LocoNet compatible

Technical parameters

Dimensions: 83x38 mm

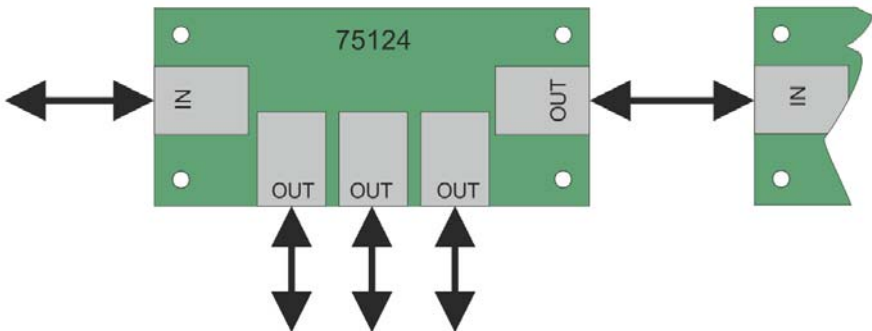
Connector type: 6p6c modular jack

Short description

For distributing XpressNet (master/slave) and LocoNet bus systems, cable extension.

The input and output connectors of the module have the same internal connecting, therefore there is no socket of special function.

Connections



Guarantee and legal statement

Each parameter of the device was submitted to comprehensive testing prior to marketing. The manufacturer undertakes one year guarantee for the product. Defects occurred during this period will be repaired by the manufacturer free of charge against the presentation of the invoice.

The validity of the guarantee will cease in case of improper usage and/or treatment.

Attention! By virtue of the European EMC directive the product can be used solely with devices provided with CE marking.

The mentioned standards and branch names are the trademarks of the firms concerned.