

NaWi[®] - 8 channel hub

User guide

Draft for discussion and testing only!

© 2010 BioDigit Ltd.

All rights reserved. Multiplication of the document or publication of its content in any form (including electronic and mechanical implementation) is prohibited without the written approval of BioDigit Ltd.



Safety precautions

You must always observe the technical specifications indicated in the specifications when using the device. Please always take care of the environment when putting the device into operation and protect the device from moisture and direct sunshine.

You may need a soldering iron during installation or putting the device into operation. Please be careful when executing these operations.

Technical parameters:

Dimensions: 85x50 mm

Idle mode current consumption: 20 mA

Max. current consumption: 120 mA

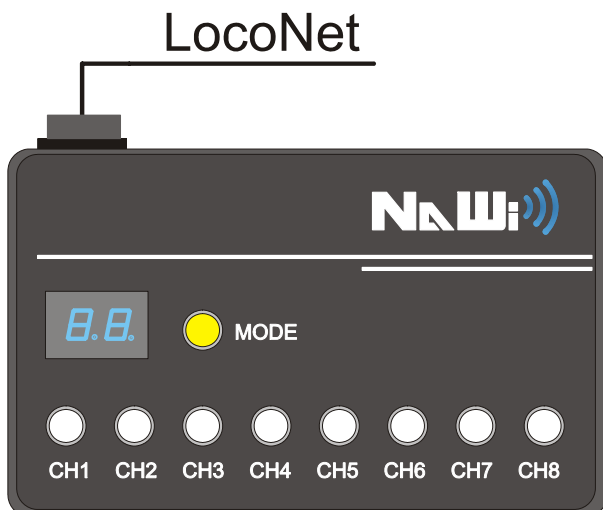
Operating frequency: ISM - 2,4GHz DSSS (certified)

Number of selectable channels: 70 + 2 service channel

Wireless standard: NaWi© interface

Wireless range: ~ 100m

Case and interface review



Mode button: Used for channel selection.

Channels (CH1-CH8): Push buttons and status indicator LEDs.

Indicated statuses:

- Dark: The slot is free, no communication.
- Blinking: The slot is waiting for controller synchronization.
- Light with flashes: The slot is in use, proper communication with the controller.

LocoNet interface: The common interface to the command station. Use the LocoNet B or LocoNet T socket on the command station to connect the hub.

Changing the radio channel

1. Press the Mode button at least one second.
2. The dot, after the channel number on the display will be turned off.
3. Press the mode button, to change the radio channel (incremental)
4. One second after the button is released, the hub will reboot.

Synchronizing with NaWi wireless controller

1. Check the wireless hub address. Make sure, the controller and the hub is on same channel.
2. Press the push button of selected slot on the wireless Hub.
3. The pushed channel will now blinking. That means: Waiting for controller.
4. On the wireless controller, hold the "Shift" key and press the Power button simultaneously on the wireless controller.
5. The controller now in Locomotive mode (Lxxx on display)
6. Synchronizing is completed. The controller is registered on the Hub.

TrainModules ®: BioDigit Ltd.

NaWi®: BioDigit Ltd.

LocoNet®: Digitrax Inc.

NMRA DCC: National Model Railroad Association

