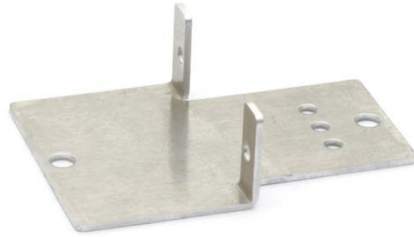


TM-73461



Servo Holder Console

User's Manual



519989751301008



© 2012 BioDigit Ltd.

All rights reserved. It is forbidden to reproduce and/or publish the contents of the present document in any form including electronic and mechanical design without the written permission of BioDigit Ltd.

Safety Warnings

During the operation of the device, the specified technical parameters shall always be met. At the installation, the environment shall be fully taken into consideration. The device must not be exposed to moisture and direct sunshine.

A soldering tool may be necessary for the installation and/or mounting of the devices, which requires special care.

During the installation it shall be ensured that the bottom of the device should not contact with a conductive (e.g. metal) surface!

Contents

Safety Warnings	1
Main Features.....	2
Technical Parameters	2
Short description	2
Securing	2
Flexible mounting at the switches.....	3
Guarantee and Legal Statement	0

Main Features

- Primarily developed for 9g servos
- Adjustable positions
- Simple mounting

Technical Parameters

Size: 50x34 mm

Diameter of mounting screws: 3.5 mm (for size 3 screws)

Short description

The holder element can be used to easily and reliably secure servo motors underneath the train set, in order to perform a variety of movement tasks. These can be used to set switches (complemented by a servo controller and/or decoder), or to move the objects belonging to the set.

Securing

It is advised that the part is mounted according to the guidelines consisting of a few points indicated below.

1. Drill a 10 mm hole in the appropriate position to move the blade of the switch. (see Figure 1)
2. Pre-assemble the servo holder console and servo motor together with the steel thread used to adjust the switch (see Figure 2)
3. Set the servo to middle position so that the steel thread is perpendicular to the console (see Figure 3)
4. Place the servo console in the appropriate position underneath the layout, inserting the steel thread into the hole in the switch blade (see Figure 4)
5. Screw the servo holder console (see Figure 5)
6. Cut the protruding steel thread to size at the plane of the switch

Flexible mounting at the switches

If the servo holder console is secured as illustrated, the steel thread applied will ensure that the switch is mounted flexibly in all end positions. This also makes it possible to cut through the switch. In addition, it will tightly hold the blade of the switch in the right position in all end positions.

Guarantee and Legal Statement

Each parameter of the device has been submitted to extensive testing prior to marketing. The manufacturer undertakes one year guarantee for the product. Defects occurred during this period will be repaired by the manufacturer free of charge against the presentation of the invoice.

The validity of the guarantee will cease in case of improper usage and/or treatment.

Attention! By virtue of the European EMC directives the product can be used solely with devices provided with CE marking.

The mentioned standards and brand names are the trademarks of the firms concerned.

TrainModules – BioDigit Ltd
Kerepesi street 92.
H-1144, Budapest

Made in Hungary.

Tel.: +36 1 46 707 64
<http://www.trainmodules.hu/>

Figure 1 Drilling of holes

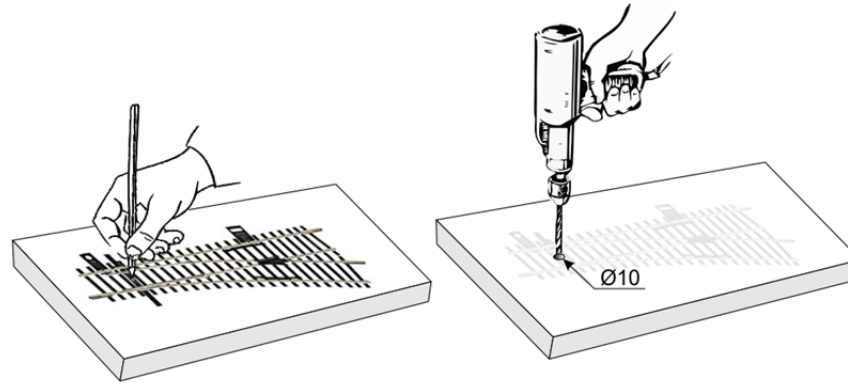


Figure 2 Assembled console

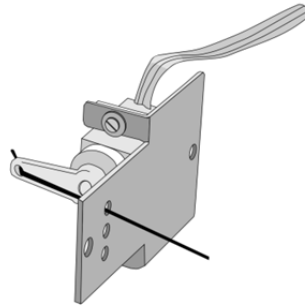


Figure 3 Perpendicular steel thread

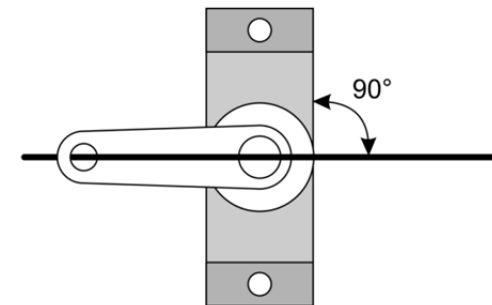


Figure 4 Mounting the console in position

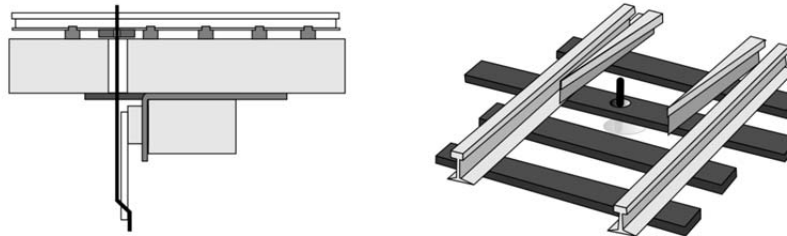


Figure 5 Securing the console with screws

